

LARGE FRAGMENT IMPLANT

Large Basic instrument set

CONTENTS	
Drill Bits 2.0mm x 100mm for Quick Coupling	2 No.
Drill Bits 3.2mm x 145mm for Quick Coupling	3 No.
Drill Bits 4.5mm x 145mm for Quick Coupling	2 No.
Counter Sink Shaft for 4.5mm Length 100mm	1 No.
Quick Coupling T Handle.	1 No.
Tap 4.5mm Cortex Screws for Quick Coupling 125/70mm	2 No.
Tap 6.5mm Cancellous Screws for Quick Coupling 180mm	1 No.
Double Drill Sleeve 4.5/3.2mm.	1 No.
Double Drill Sleeve 6.5/3.2mm	1 No.
Large Hexagonal Screw Driver With Holding Sleeve 3.5mm Tip.	1 No.
Depth Gauge for 4.5mm to 6.5mm Screws	1 No.
Sharp Hook.	1 No.
DCP Drill Sleeve 4.5mm for use 3.2mm Drill	1 No.
LC-DCP Drill Sleeve 4.5mm for 3.2mm Drill	1 No.
Universal Drill Sleeve 4.5mm for 3.2mm Drill	1 No.
Kirschner Wire 1.6mm /150mm.	10 No.
General Instrument Box S.S With Two Tray Length 300mm	1 No.

DCP Plate set, 4.5mm

CONTENTS	
Semi Tubular Plate 4.5mm 4hole, 5hole, 6hole, 7hole	Each 2 No.
Narrow DCP 4.5mm 4hole, 5hole.	Each 2 No.
6hole	4 No.
7hole, 8hole, 9hole.	Each 2 No.
10hole, 12hole	Each 1 No.
Broad DCP 4.5mm 6hole, 7hole, 8hole.	Each 2 No.
9hole, 10hole, 12hole, 14hole	Each 1 No.
T-Buttress Plate 4.5mm 4hole	1 No.
T-Plate 4.5mm 4hole, 6hole, 8hole.	Each 1 No.
L-Buttress Plate 4.5mm Left 4hole.	1 No.
L-Buttress plate 4.5mm Right 4hole.	1 No.
Spoon Plate 4.5mm 5hole, 6hole	Each 1 No.





LC-DCP Plate set, 4.5mm

CONTENTS	
Semi Tubular Plate 4.5mm 4hole, 5hole, 6hole, 7hole	Each 2 No.
Narrow LC-DCP 4.5mm 4hole, 5hole. 6hole. 7hole, 8hole, 9hole	Each 2 No.
10hole, 12hole.	Each 1 No.
Broad LC-DCP 4.5mm 6hole, 7hole, 8hole	Each 2 No.
9hole, 10hole, 12hole, 14hole	Each 1 No.
T-Buttress Plate 4.5mm 4hole	1 No.
T-Plate 4.5mm 4hole, 6hole, 8hole.	Each 1 No.
L-Buttress Plate 4.5mm Left 4hole.	1 No.
L-Buttress plate 4.5mm Right 4hole.	1 No.
Spoon Plate 4.5mm 5hole, 6hole	Each 1 No.

4.5mm & 6.5mm Screws Set

CONTENTS	
4.5mm Cortex Screw Length 14mm, 16mm, 18mm	Each 4 No.
20mm, 22mm, 24mm, 26mm, 28mm	Each 8 No.
30mm, 32mm, 34mm, 36mm, 38mm, 40mm.	Each 12 No.
42mm, 44mm, 46mm, 48mm, 50mm, 52mm 54mm, 56mm, 58mm, 60mm, 62mm, 64mm	Each 4 No.
4.5mm LC-DCP Shaft Screw Length 28mm, 30mm, 32mm, 34mm, 36mm, 38mm, 40mm, 42mm, 44mm, 46mm, 48mm, 50mm	Each 2 No.
4.5mm Malleolar Screw 25mm, 30mm, 35mm, 40mm, 45mm, 50mm, 55mm, 60mm, 65mm, 70mm	Each 2 No.
6.5mm Cancellous Screw 16mm Th. Length 30mm, 35mm, 40mm, 45mm, 50mm, 55mm, 60mm, 65mm, 70mm, 75mm, 80mm, 85mm, 90mm, 95mm, 100mm, 105mm, 110mm	Each 4 No.
6.5mm Cancellous Screw 32mm Th. Length 45mm, 50mm, 55mm, 60mm, 65mm, 70mm, 75mm, 80mm, 85mm, 90mm, 95mm, 100mm, 105mm, 110mm	Each 4 No.
6.5mm Cancellous Screw Full Thread Length 25mm, 30mm, 35mm, 40mm, 45mm, 50mm, 55mm, 60mm	Each 4 No.
Washer 13/6.6mm for Large Screws	6 No.
Screw Holding Forceps Self holding	1 No.

Large Screws & Plates For 4.5 & 6.5mm

202 T202 4.5mm Cortex Screw						
<u>Code No.</u>	<u>Code No.</u>	<u>Total Length in mm</u>				
202.14	T202.14	14mm				
202.16	T202.16	16mm				
202.18	T202.18	18mm				
202.20	T202.20	20mm				
202.22	T202.22	22mm				
202.24	T202.24	24mm				
202.26	T202.26	26mm				
202.28	T202.28	28mm				
202.30	T202.30	30mm				
202.32	T202.32	32mm				
202.34	T202.34	34mm				
202.36	T202.36	36mm				
202.38	T202.38	38mm				
202.40	T202.40	40mm				
202.42	T202.42	42mm				
202.44	T202.44	44mm				
202.46	T202.46	46mm				
202.48	T202.48	48mm				
202.50	T202.50	50mm				
202.55	T202.55	55mm				
202.60	T202.60	60mm				
202.65	T202.65	65mm				
202.70	T202.70	70mm				
					Thread Diameter 4.5mm Drill Bit for Threading Hole 3.2mm Drill Bit for Gliding Hole 4.5mm Core Diameter 3.0mm Hexagonal Socket Width 3.5mm Head Diameter 8.0mm	
204 T204 4.5mm Malleolar Screw						
<u>Code No.</u>	<u>Code No.</u>	<u>Total Length in mm</u>	<u>Thread Length</u>			
204.20	T204.20	20mm	10mm			
204.25	T204.25	25mm	12mm			
204.30	T204.30	30mm	15mm			
204.35	T204.35	35mm	18mm			
204.40	T204.40	40mm	20mm			
204.45	T204.45	45mm	22mm			
204.50	T204.50	50mm	24mm			
204.55	T204.55	55mm	26mm			
204.60	T204.60	60mm	28mm			
204.65	T204.65	65mm	30mm			
204.70	T204.70	70mm	32mm			
204.75	T204.75	75mm	36mm			
204.80	T204.80	80mm	40mm			
204.85	T204.85	85mm	42mm			
204.90	T204.90	90mm	46mm			
						Thread Diameter 4.5mm Drill Bit for Threading Hole 3.2mm Shaft Diameter 3.0mm Core Diameter 3.0mm Hexagonal Socket Width 3.5mm Head Diameter 8.0mm
205 T205 6.5mm Cancellous Screw (16mm Thread)						
<u>Code No.</u>	<u>Code No.</u>	<u>Total Length in mm</u>				
205.20	T205.20	20mm				
205.25	T205.25	25mm				
205.30	T205.30	30mm				
205.35	T205.35	35mm				
205.40	T205.40	40mm				
205.45	T205.45	45mm				
205.50	T205.50	50mm				
205.55	T205.55	55mm				
205.60	T205.60	60mm				
205.65	T205.65	65mm				
205.70	T205.70	70mm				
205.75	T205.75	75mm				
205.80	T205.80	80mm				
205.85	T205.85	85mm				
205.90	T205.90	90mm				
205.95	T205.95	95mm				
205.100	T205.100	100mm				
205.105	T205.105	105mm				
205.110	T205.110	110mm				
205.115	T205.115	115mm				
205.120	T205.120	120mm				
					Thread Diameter 6.5mm Thread Length 16.0mm Drill Bit for Threading Hole 3.2mm Shaft Diameter 4.5mm Drill Bit for Shaft Optional 4.5mm Core Diameter 3.0mm Hexagonal Socket Width 3.5mm Head Diameter 8.0mm	
206 T206 6.5mm Cancellous Screw (32mm Thread)						
<u>Code No.</u>	<u>Code No.</u>	<u>Total Length in mm</u>				
206.45	T206.45	45mm				
206.50	T206.50	50mm				
206.55	T206.55	55mm				
206.60	T206.60	60mm				
206.65	T206.65	65mm				
206.70	T206.70	70mm				
206.75	T206.75	75mm				
206.80	T206.80	80mm				
206.85	T206.85	85mm				
206.90	T206.90	90mm				
206.95	T206.95	95mm				
206.100	T206.100	100mm				
206.105	T206.105	105mm				
206.110	T206.110	110mm				
206.115	T206.115	115mm				
206.120	T206.120	120mm				
					Thread Diameter 6.5mm Thread Length 32.0mm Drill Bit for Threading Hole 3.2mm Shaft Diameter 4.5mm Drill Bit for Shaft Optional 4.5mm Core Diameter 3.0mm Hexagonal Socket Width 3.5mm Head Diameter 8.0mm	

207 T207 6.5mm Cancellous Screw (Full Thread)			
Code No.	Code No.	Total Length in mm	
207.20	T207.20	20mm	
207.25	T207.25	25mm	
207.30	T207.30	30mm	
207.35	T207.35	35mm	
207.40	T207.40	40mm	
207.45	T207.45	45mm	
207.50	T207.50	50mm	
207.55	T207.55	55mm	
207.60	T207.60	60mm	
207.65	T207.65	65mm	
207.70	T207.70	70mm	
207.75	T207.75	75mm	
207.80	T207.80	80mm	
207.85	T207.85	85mm	
207.90	T207.90	90mm	
207.95	T207.95	95mm	
207.100	T207.100	100mm	
207.105	T207.105	105mm	
207.110	T207.110	110mm	

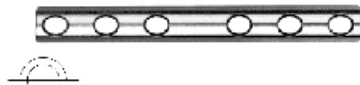


Thread Diameter	6.5mm
Drill Bit for Threading Hole	3.2mm
Core Diameter	3.0mm
Hexagonal Socket Width	3.5mm
Head Diameter	8.0mm

208 Semi-Tubular Plate 4.5mm			
Code No.	Code No.	Total Length in mm	
208.04	T208.04	71mm	
208.05	T208.05	87mm	
208.06	T208.06	103mm	
208.07	T208.07	119mm	
208.08	T208.08	135mm	
208.09	T208.09	151mm	
208.10	T208.10	167mm	
208.12	T208.12	199mm	

Fixation with 4.5mm Cortex Screws.
A Compression effect can be achieved by eccentric positioning of the screws remote from the fracture line.


It possible to use the Universal Drill Sleeve 4.5/3.2mm



Thickness	1.0mm
Width	11.0mm
Hole Spacing	16.0mm
Middle Hole Spacing	26.0mm

210 T210 Narrow DCP 4.5mm			
Code No.	Code No.	Total Length in mm	
210.02	T210.02	39mm	
210.03	T210.03	55mm	
210.04	T210.04	71mm	
210.05	T210.05	87mm	
210.06	T210.06	103mm	
210.07	T210.07	119mm	
210.08	T210.08	135mm	
210.09	T210.09	151mm	
210.10	T210.10	167mm	
210.11	T210.11	183mm	
210.12	T210.12	199mm	
210.14	T210.14	231mm	
210.16	T210.16	263mm	

DCP=Dynamic Compression Plate with spherical gliding principle



Thickness	3.6mm
Width	12.0mm
Hole Spacing	16.0mm
Middle Hole Spacing	25.0mm

Fixation with 4.5mm and 6.5mm screws. All plate hole are designed as self-compressing hole
The end hole are designed for Cancellous bone screws.
INDICATION: As Neutralization and Tension Bend Plate on the tibia (Not- intended for the femur).
Use Plate with 2, 3, or 4 hole in exceptional cases only, Use With DCP Drill Sleeve 4.5 mm


211 T211 Narrow LC-DCP 4.5mm			
Code No.	Code No.	Total Length in mm	
211.04	T211.04	70mm	
211.05	T211.05	88mm	
211.06	T211.06	106mm	
211.07	T211.07	124mm	
211.08	T211.08	142mm	
211.09	T211.09	160mm	
211.10	T211.10	178mm	
211.11	T211.11	196mm	
211.12	T211.12	214mm	
211.14	T211.14	250mm	
211.16	T211.16	286mm	

LC-DCP= Limited Contact Dynamic Compression Plate

Fixation with 4.5mm and 6.5mm screws. The LC-DCP hole allow compression in both direction of longitudinal axis. The end hole are suitable for Cancellous bone screws. Undercut for vascular preservation.

INDICATION: As Neutralization and Tension Bend Plate on the tibia (Not- intended for the femur).


Use the following Instruments for LC-DCP Plates 4.5mm
LC-DCP Drill Sleeve
Bending Iron Pair for LC-DCP /DCP
Plate Bender Roller Type



Thickness	4.6mm
Width	13.5mm
Hole Spacing	18.0mm

213 T213 Broad DCP 4.5mm			
Code No.	Code No.	Total Length in mm	
213.05	T213.05	87mm	
213.06	T213.06	103mm	
213.07	T213.07	119mm	
213.08	T213.08	135mm	
213.09	T213.09	151mm	
213.10	T213.10	167mm	
213.11	T213.11	183mm	
213.12	T213.12	199mm	
213.13	T213.13	215mm	
213.14	T213.14	231mm	
213.16	T213.16	263mm	
213.18	T213.18	295mm	

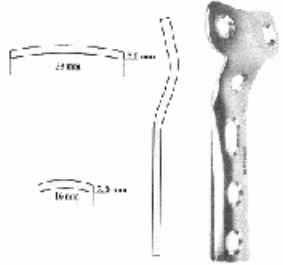
DCP=Dynamic Compression Plate with spherical gliding principle



Thickness	4.5mm
Width	16.0mm
Hole Spacing	16.0mm
Middle Hole Spacing	25.0mm

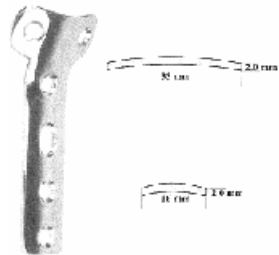
Fixation with 4.5mm and 6.5mm screws. All plate hole are designed as self-compressing hole
The end hole are designed for Cancellous bone screws.
INDICATION: As Tension Bend Plate on the femur and for humeral pseudo arthrosis (Not- intended for the tibia).
Use Plate with 6 or 7 hole in exceptional cases only, e.g. on the humerus.

Use With DCP Drill Sleeve 4.5 mm

215		T215		T – Buttress Plate 4.5mm		Thickness 2.0mm	Shaft Width 17.0mm	Head Width 33.0mm	Head Hole 2hole	
Code No.	Code No.	Shaft Hole / Total Length	in mm							
215.03	T215.03	3hole	65mm							
215.04	T215.04	4hole	81mm							
215.05	T215.05	5hole	96mm							
215.06	T215.06	6hole	112mm							
215.07	T215.07	7hole	128mm							
215.08	T215.08	8hole	144mm							
215.09	T215.09	9hole	160mm							
215.10	T215.10	10hole	176mm							
215.12	T215.12	12hole	208mm							

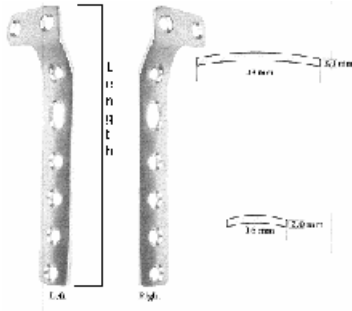
Fixation with 4.5mm and 6.5mm Screws. With double bend, as buttress for Tibia head fractures.

possible to use the Universal Drill Sleeve 4.5/3.2mm

216		T216		T – Plate 4.5mm		Thickness 2.0mm	Shaft Width 17.0mm	Head Width 33.0mm	Head Hole 2hole	
Code No.	Code No.	Shaft Hole / Total Length	in mm							
216.03	T216.03	3hole	68mm							
216.04	T216.04	4hole	84mm							
216.05	T216.05	5hole	100mm							
216.06	T216.06	6hole	116mm							
216.07	T216.07	7hole	132mm							
216.08	T216.08	8hole	148mm							
216.09	T216.09	9hole	164mm							
216.10	T216.10	10hole	180mm							
216.12	T216.12	12hole	212mm							

Fixation with 4.5mm and 6.5mm Screws. Shaft with round profile, for humeral and Tibia head.


possible to use the Universal Drill Sleeve 4.5/3.2mm

217		T217		L – Buttress Plate 4.5mm		Thickness 2.0mm	Shaft Width 16.0mm	Head Width 33.0mm	Head Hole 2hole	
Code No.	Code No.	Shaft Hole / Total Length	in mm							
217.03L	T217.03L	3hole (Left)	69mm							
217.04L	T217.04L	4hole (Left)	85mm							
217.05L	T217.05L	5hole (Left)	101mm							
217.06L	T217.06L	6hole (Left)	117mm							
217.07L	T217.07L	7hole (Left)	133mm							
217.08L	T217.08L	8hole (Left)	149mm							
217.09L	T217.09L	9hole (Left)	165mm							
217.10L	T217.10L	10hole (Left)	181mm							
217.12L	T217.12L	12hole (Left)	213mm							
217.03R	T217.03R	3hole (Right)	69mm							
217.04R	T217.04R	4hole (Right)	85mm							
217.05R	T217.05R	5hole (Right)	101mm							
217.06R	T217.06R	6hole (Right)	117mm							
217.07R	T217.07R	7hole (Right)	133mm							
217.08R	T217.08R	8hole (Right)	149mm							
217.09R	T217.09R	9hole (Right)	165mm							
217.10R	T217.10R	10hole (Right)	181mm							
217.12R	T217.12R	12hole (Right)	213mm							

Fixation with 4.5mm and 6.5mm Screws. with double bend, as buttress for Tibia and humeral head fractures.


possible to use the Universal Drill Sleeve 4.5/3.2mm

Left angled, for right leg
Right angled, for left leg

219		Spoon Plate 4.5mm		Thickness 2.0mm	Shaft Width 17.0mm	Head Width 33.0mm	Head Hole 3hole	
Code No.	Code No.	Shaft Hole / Total Length	in mm					
219.05		5hole	100mm					
219.06		6hole	120mm					

Fixation with 4.5mm Cortex Screws Shaft with V-profile, for the fixation on the frontal edge of the Tibia.

possible to use the Universal Drill Sleeve 4.5/3.2mm

220		Lateral Tibial Head Buttress Plate 4.5mm		Thickness 3.8mm	Shaft Width 14.0mm	Hole Spacing 16.0mm	
Code No.	Code No.	Length in Shaft Hole					
220.05L		5hole (Left)	117mm				
220.06L		6hole (Left)	133mm				
220.07L		7hole (Left)	149mm				
220.08L		8hole (Left)	165mm				
220.09L		9hole (Left)	181mm				
220.10L		10hole (Left)	197mm				
220.12L		11hole (Left)	213mm				
220.11L		12hole (Left)	229mm				
220.13L		13hole (Left)	245mm				
220.05R		5hole (Right)	117mm				
220.06R		6hole (Right)	133mm				
220.07R		7hole (Right)	149mm				
220.08R		8hole (Right)	165mm				
220.09R		9hole (Right)	181mm				
220.10R		10hole (Right)	197mm				
220.11R		11hole (Right)	213mm				
220.12R		12hole (Right)	229mm				
220.13R		13hole (Right)	245mm				


Fixation with 4.5mm and 6.5mm Screws. Shaft with DCP Dynamic Compression hole and slot for Tension Device.

possible to use the Universal Drill Sleeve 4.5/3.2mm

Left angled, for right leg
Right angled, for left leg

221
Condylar Buttress Plate 4.5mm

Code No.	1 Hole in Head + Shaft Hole
221.06L	6hole (Left)
221.07L	7hole (Left)
221.08L	8hole (Left)
221.09L	9hole (Left)
221.10L	10hole (Left)
221.11L	11hole (Left)
221.13L	13hole (Left)
221.15L	15hole (Left)
221.06R	6hole (Right)
221.07R	7hole (Right)
221.08R	8hole (Right)
221.09R	9hole (Right)
221.10R	10hole (Right)
221.11R	11hole (Right)
221.13R	13hole (Right)
221.15R	15hole (Right)



Thickness 5.0mm
 Shaft Width 16.0mm
 Hole Spacing 16.0mm


Fixation with 4.5mm and 6.5mm Screws. Shaft with DCP Dynamic Compression hole and slot for Tension Device.
 As buttress for femoral condylar with multiple fragment fractures.
 possible to use the Universal Drill Sleeve 4.5/3.2mm

222
Cobra Head Plate 4.5mm

Code No.	Shaft Hole	Total Length in mm
222.06	6hole	138mm
222.07	7hole	154mm
222.08	8hole	170mm
222.09	9hole	186mm
222.10	10hole	202mm
222.11	11hole	218mm
222.12	12hole	234mm

Shaft with DCP Dynamic compression hole and slot for tension Device for arthrodesis of the hip.
 In the two shaft hole next to the head, two 4.5mm Cortex Screws, length 60mm to 70mm are normally used, The long drill bit 3.2mm Dia. And the Tap 4.5mm Dia.

possible to use the Universal Drill Sleeve 4.5/3.2mm




Thickness 6.0mm
 Shaft Width 16.0mm
 Hole Spacing 16.0mm
 Head Width 33.0mm

224
Reconstruction Plate (DC Hole) 4.5mm

Code No.	Total Length in mm
224.04	4hole 61mm
224.05	5hole 77mm
224.06	6hole 93mm
224.07	7hole 109mm
224.08	8hole 125mm
224.09	9hole 141mm
224.10	10hole 157mm
224.12	12hole 189mm
224.14	14hole 221mm
224.16	16hole 253mm

Note: Do Not Bend More Than 15° Degree



Thickness 2.8mm
 Width 12.0mm
 Hole Spacing 16.0mm

For pelvic, clavicle and Calcaneal fracture. Reconstruction Plate 4.5mm are manufactured from relatively soft material due to their reduced stiffness of they should be used only for cerclages or adaptations. Design and softness of the material enable three-dimensional contouring with bending pliers for Reconstruction Plate. Bending iron for Reconstruction Plate.

Fixation with 4.5 screws.
 possible to use the Universal Drill Sleeve 4.5/3.2mm

239
Straight Reconstruction Plate (Thin) 4.5mm

Code No.	Total Length in mm
239.04	4hole 3.5mm
239.05	5hole 3.5mm
239.06	6hole 3.5mm
239.07	7hole 3.5mm
239.08	8hole 3.5mm
239.09	9hole 3.5mm
239.10	10hole 3.5mm
239.12	12hole 3.5mm
239.14	14hole 3.5mm
239.16	16hole 3.5mm
239.18	18hole 3.5mm
239.20	20hole 3.5mm
239.22	22hole 3.5mm
239.24	24hole 3.5mm



This document was created with Win2PDF available at <http://www.daneprairie.com>.
The unregistered version of Win2PDF is for evaluation or non-commercial use only.